

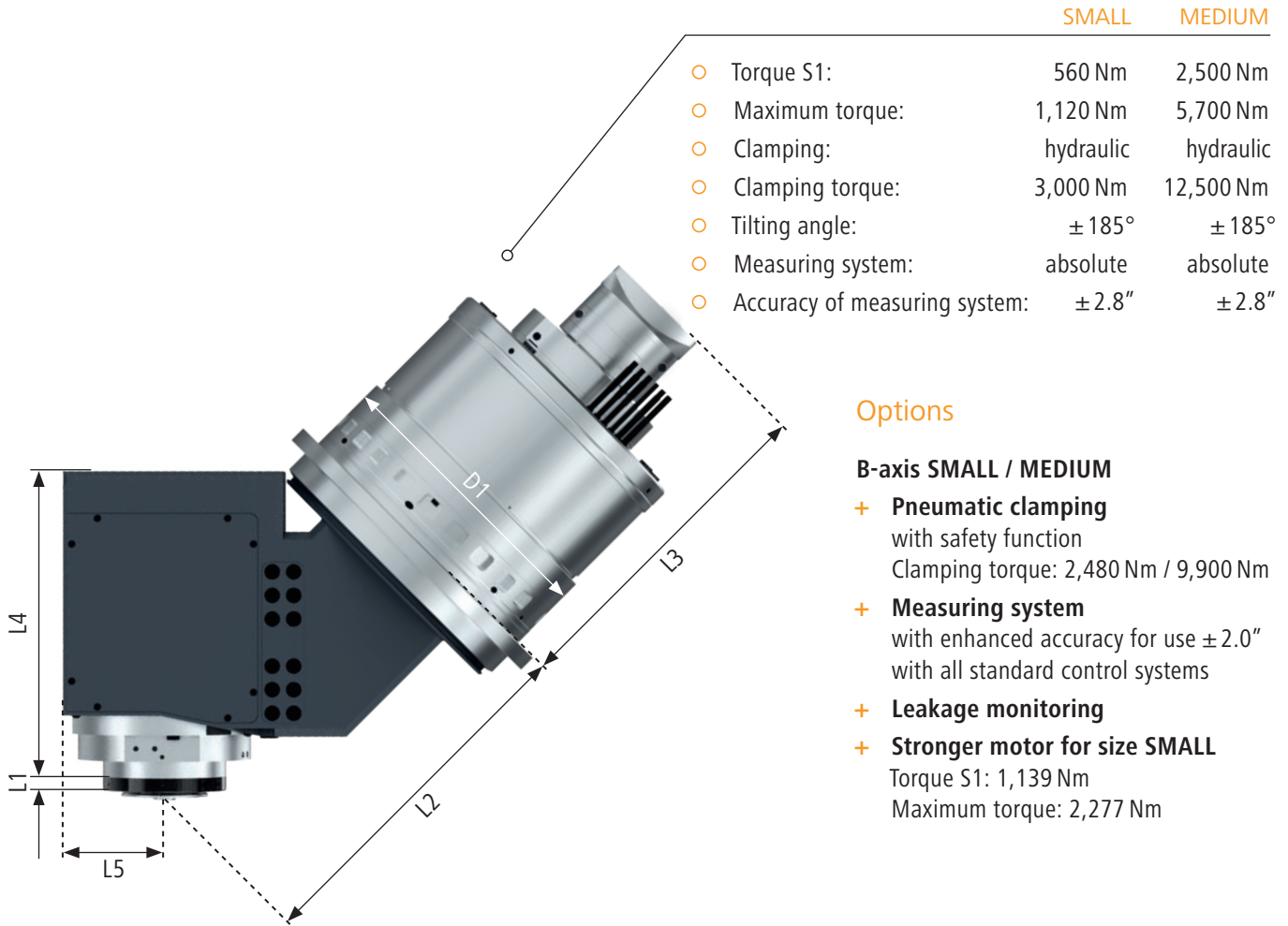
# HEADLINE/1AH-B-45

Horizontal and vertical cutting in simultaneous milling operations





# HEADLINE / 1AH-B-45



### Options

#### B-axis SMALL / MEDIUM

- + **Pneumatic clamping**  
with safety function  
Clamping torque: 2,480 Nm / 9,900 Nm
- + **Measuring system**  
with enhanced accuracy for use ±2.0"  
with all standard control systems
- + **Leakage monitoring**
- + **Stronger motor for size SMALL**  
Torque S1: 1,139 Nm  
Maximum torque: 2,277 Nm

Dimensions (mm)		SMALL	MEDIUM
Fitting diameter of B-axis	D1	335	480
Fitting depth of B-axis	L3	365 / 465	600
Collision circle B-axis	D2	750 (MT 100S) 875 (MT 100L) 920 (MT 100H)	1,115
Vector length of the MT LINE spindle	L1	0 (MT 100S) 0 (MT 100L) 20 (MT 100H)	0
(Vector length of the V LINE spindle*)	L1		
Projection length of the spindle	L2	425	590
Installation depth of the spindle	L4	385 (MT 100S) 475 (MT 100L) 510 (MT 100H)	628
Overall depth till spindle centre	L5	115	155
Gross weight	kg	–	–

\*Availability on request

# Motor spindles

## SMALL

Model	Max. speed (rpm)	S1		S6 / 40 %		S6 / 25 %		S6 max.		
		Torque (Nm)	Power (kW)	Torque (Nm)	Power (kW)	Torque (Nm)	Power (kW)	Torque (Nm)	Power (kW)	
V100-S24	24,000	90	50	110	50	130	50	160	50	High speed
V100-A15	15,000	130	30	201*	46	217	50	217	50	High torque
V100-A20	20,000	87	25	135*	40	150	44	203	60	Bestseller
V100-A14	14,000	80	15	112	21	129	24.5	141	27	Entry-level

\*S6 40 % / 25 % DC: 2 min.

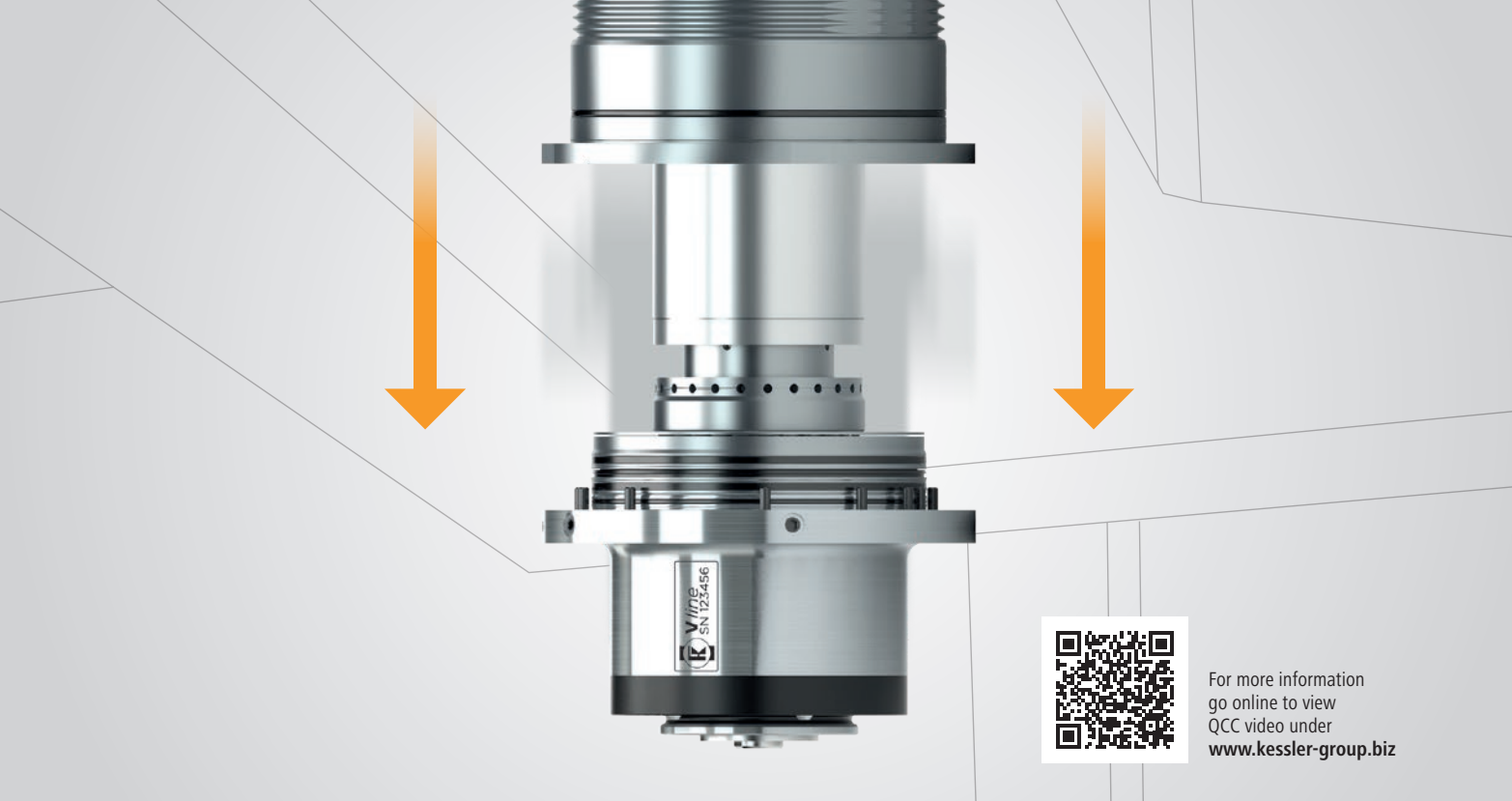
Model	Max. speed (rpm)	S1		S6 / 40 %		S6 / 25 %		S6 max.		
		Torque (Nm)	Power (kW)	Torque (Nm)	Power (kW)	Torque (Nm)	Power (kW)	Torque (Nm)	Power (kW)	
MT100S-S20	20,000	85	20	100	20	115	20	170	20	High speed
MT100S-S12	12,500	100	36	120	40	130	43	180	48	High torque
MT100L-S20	20,000	130	45	160	45	180	45	200	45	High speed
MT100L-S12	12,500	175	54	210	54	235	54	280	54	High torque
MT100H-S16	16,000	150	40	180	40	200	40	250	40	High speed
MT100H-S12	12,500	200	54	235	54	265	54	315	54	High torque

## MEDIUM

Model	Max. speed (rpm)	S1		S6 / 40 %		S6 / 25 %		S6 max.		
		Torque (Nm)	Power (kW)	Torque (Nm)	Power (kW)	Torque (Nm)	Power (kW)	Torque (Nm)	Power (kW)	
V400-A15	15,000	300	48	445	70	535	84	640	100	High speed
V400-A10	10,000	400	50	560	70	690	86	800	100	High torque
V400-A15	15,000	220	35	305	48	350	56	405	65	Entry-level

Model	Max. speed (rpm)	S1		S6 / 40 %		S6 / 25 %		S6 max.		
		Torque (Nm)	Power (kW)	Torque (Nm)	Power (kW)	Torque (Nm)	Power (kW)	Torque (Nm)	Power (kW)	
MT400-S15	15,000	315	87	365	87	375	87	390	87	High speed*
MT400-S12	12,000	500	75	635	75	670	75	700	75	High torque*

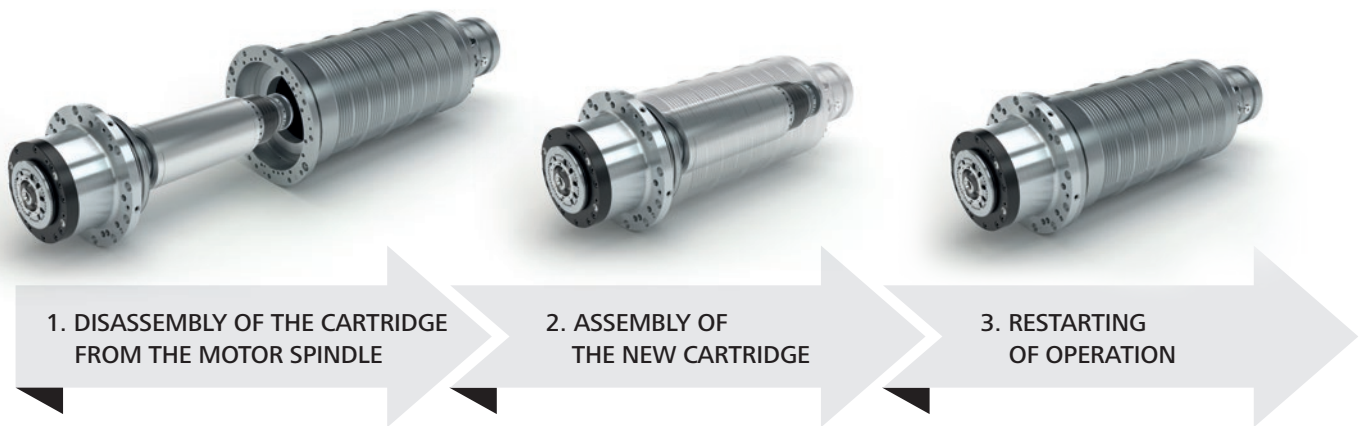
\*Availability on request



For more information  
go online to view  
QCC video under  
[www.kessler-group.biz](http://www.kessler-group.biz)

The built-in spindle housing remains in the headstock of the machine during the replacement procedure

## Quick Connect Cartridge (QCC)



Fast replacement of rotor shaft,  
front/rear bearing and  
power drawbar on-site



Reduces  
TCO (Total Costs  
of Ownership)

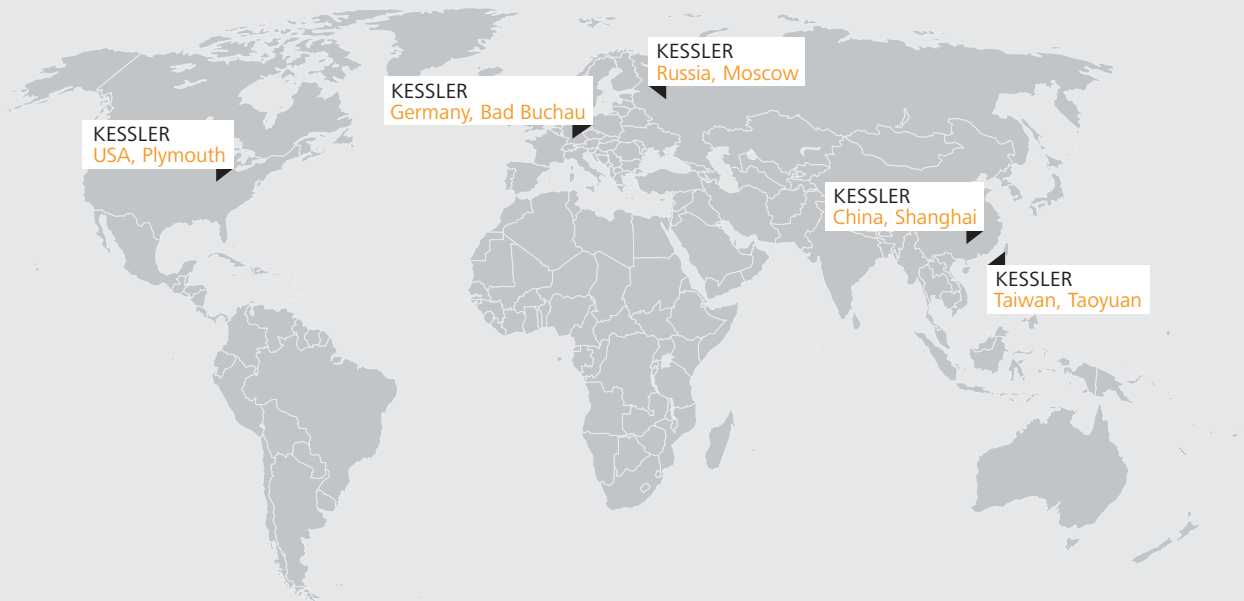


Reduces  
machine downtime



No electrician  
needed

# Operating Worldwide for our Customers



## Germany

**Franz Kessler GmbH**  
 Franz-Kessler-Straße 2  
 88422 Bad Buchau, Germany  
 Tel.: +49 7582 809 - 0  
 Fax: +49 7582 809 - 170  
[info@kessler-group.biz](mailto:info@kessler-group.biz)

## USA

**KESSLER USA Inc.**  
 44099 Plymouth Oaks Blvd.  
 Plymouth, MI 48170, USA  
 Tel.: +1 734 404 0152  
 Fax: +1 734 404 0153  
[info.usa@kessler-group.biz](mailto:info.usa@kessler-group.biz)

## Russia

**KESSLER East Ltd.**  
 Dorogobuzhskaja str., 14, bld. 6  
 121354, Moscow, Russia  
 Tel.: +7 495 204 2450  
[info.ru@kessler-group.biz](mailto:info.ru@kessler-group.biz)

## Taiwan

**KESSLER Taiwan Ltd.**  
 No.347, Sec. 1  
 Nanshan Rd  
 Luzhu District  
 Taoyuan City 33861  
 Taiwan (R.O.C.)  
 Tel.: +886 3 326 2256  
 Fax: +886 3 355 5014  
[info.tw@kessler-group.biz](mailto:info.tw@kessler-group.biz)

## China

**KESSLER (Shanghai)  
 Spindle Service Co., Ltd.**  
 Building #12  
 No.318 Yuanshan Rd  
 Minhang District  
 201108 Shanghai, China  
 Tel.: +86 21 6489 7034  
 Fax: +86 21 6489 7134  
[info.cn@kessler-group.biz](mailto:info.cn@kessler-group.biz)