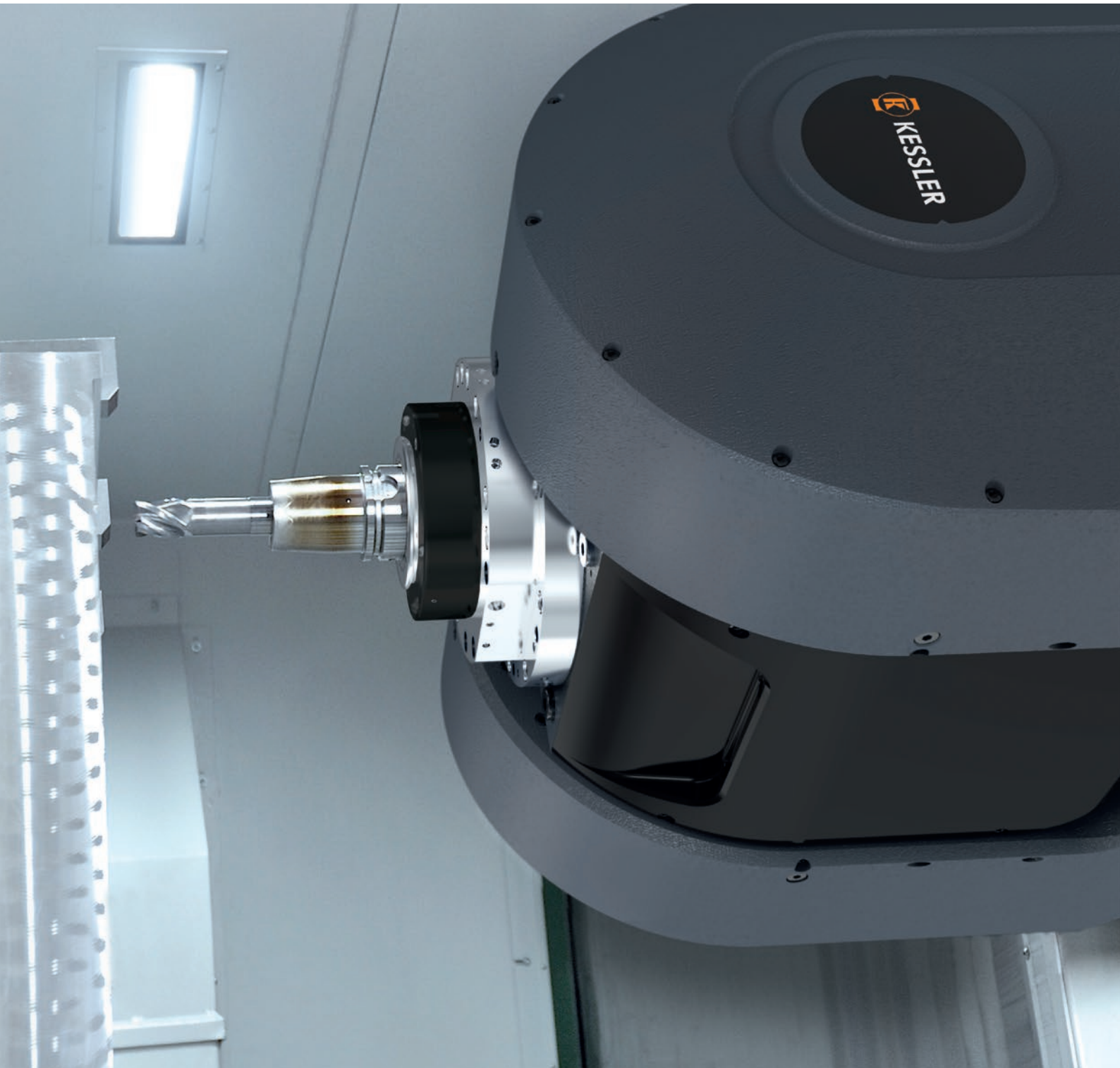


HEADLINE/SMALL 2AH

Bestseller with versatile application possibilities



HEADLINE / SMALL 2AH (QAC)

C-axis (turning axis)

- Torque S1: 1,139 Nm
- Maximum torque: 2,277 Nm
- Clamping: hydraulic
- Clamping torque: 4,000 Nm
- Tilting angle: $\pm 360^\circ$
- Measuring system: absolute
- Accuracy of measuring system: $\pm 2.8''$

A-axis (tilting axis)

- Torque S1: 1,100 Nm
- Maximum torque: 2,200 Nm
- Clamping: hydraulic
- Clamping torque: 4,000 Nm
- Tilting angle: $\pm 110^\circ$
- Measuring system: absolute
- Accuracy of measuring system: $\pm 2.8''$

All 2AHs available with automatic Quick Axis Change (QAC) or as 1AH with solid screw-on flange available.

Dimensions (mm)		large fitting	small fitting
Fitting diameter of C-axis	D1	390	335
Fitting depth of C-axis	L3	715	655
Collision circle C-axis	D2	670	670
Width of A-axis	B1	625	625
Depth of A-axis	T1	420	420
Projection length of A-axis	L2	410	470
Vector length	L1	260 (HSK63) / 280 (HSK100)	
Gross weight	kg	750	750



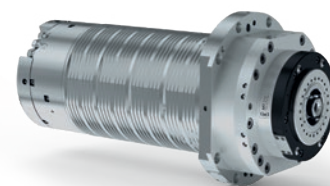
Options

A-axis

- + **With one motor**
Torque S1: 550 Nm
Maximum torque: 1,100 Nm
- + **Pneumatic Clamping**
with safety function
Clamping torque: 2,160 Nm
- + **Measuring system**
with enhanced accuracy $\pm 2.0''$
for use with all standard control systems
- + **Leakage monitoring**

C-axis

- + **Pneumatic clamping**
with safety function
Clamping torque: 3,024 Nm
- + **Measuring system**
with enhanced accuracy $\pm 2.0''$
for use with all standard control systems
- + **Horizontal or vertical installation position**



Motor spindles

Model	Max. speed (rpm)	S1		S6 / 40 %		S6 / 25 %		S6 max.		
		Torque (Nm)	Power (kW)	Torque (Nm)	Power (kW)	Torque (Nm)	Power (kW)	Torque (Nm)	Power (kW)	
MT100S-S20	20,000	85	20	100	20	115	20	170	20	High speed
MT100S-S12	12,500	100	36	120	40	130	43	200	48	High torque
MT100L-S20	20,000	130	45	160	45	180	45	200	45	High speed
MT100L-S12	12,500	175	54	210	54	235	54	280	54	High torque
MT100H-S16	16,000	160	60	180	60	210	60	240	60	High speed
MT100H-S12	12,500	200	54	235	54	270	54	315	54	High torque

Quick Axis Change (QAC) Automatic A-axis change

QAC enables uncompromising roughing and finishing with one single machine. The head kinematics remains unchanged. Since the projection length of the A-axis (L2) is the same, no space is lost in the machining area.

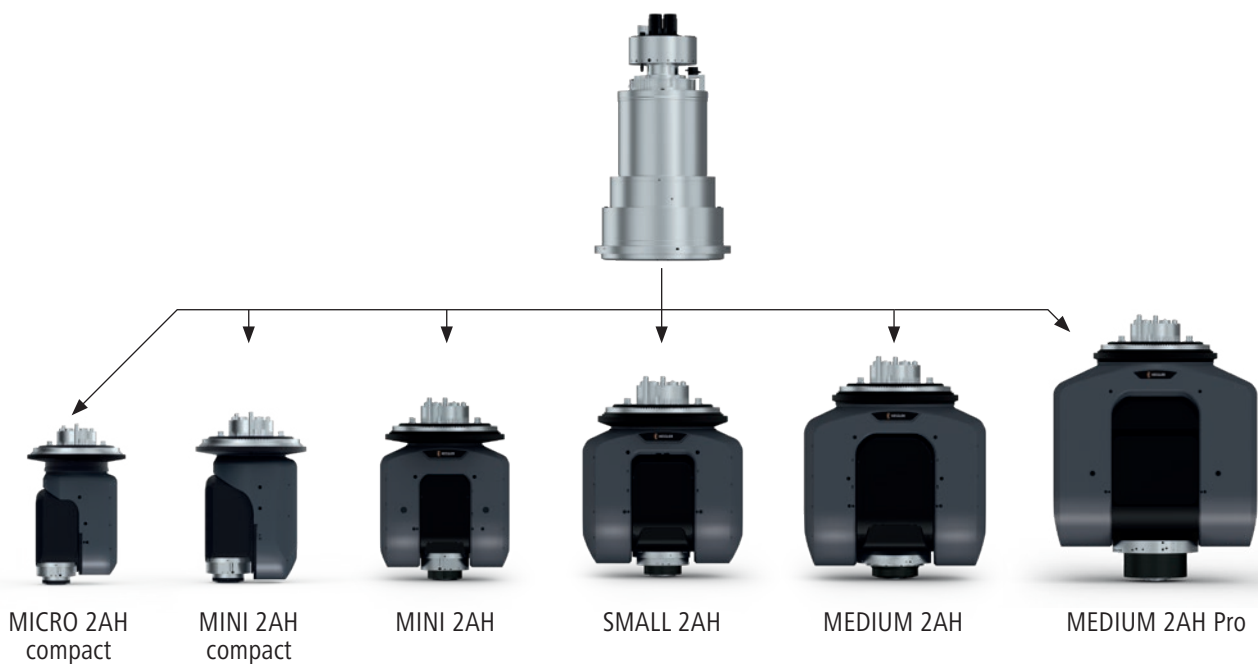
C-axis with changing interface for replaceable heads

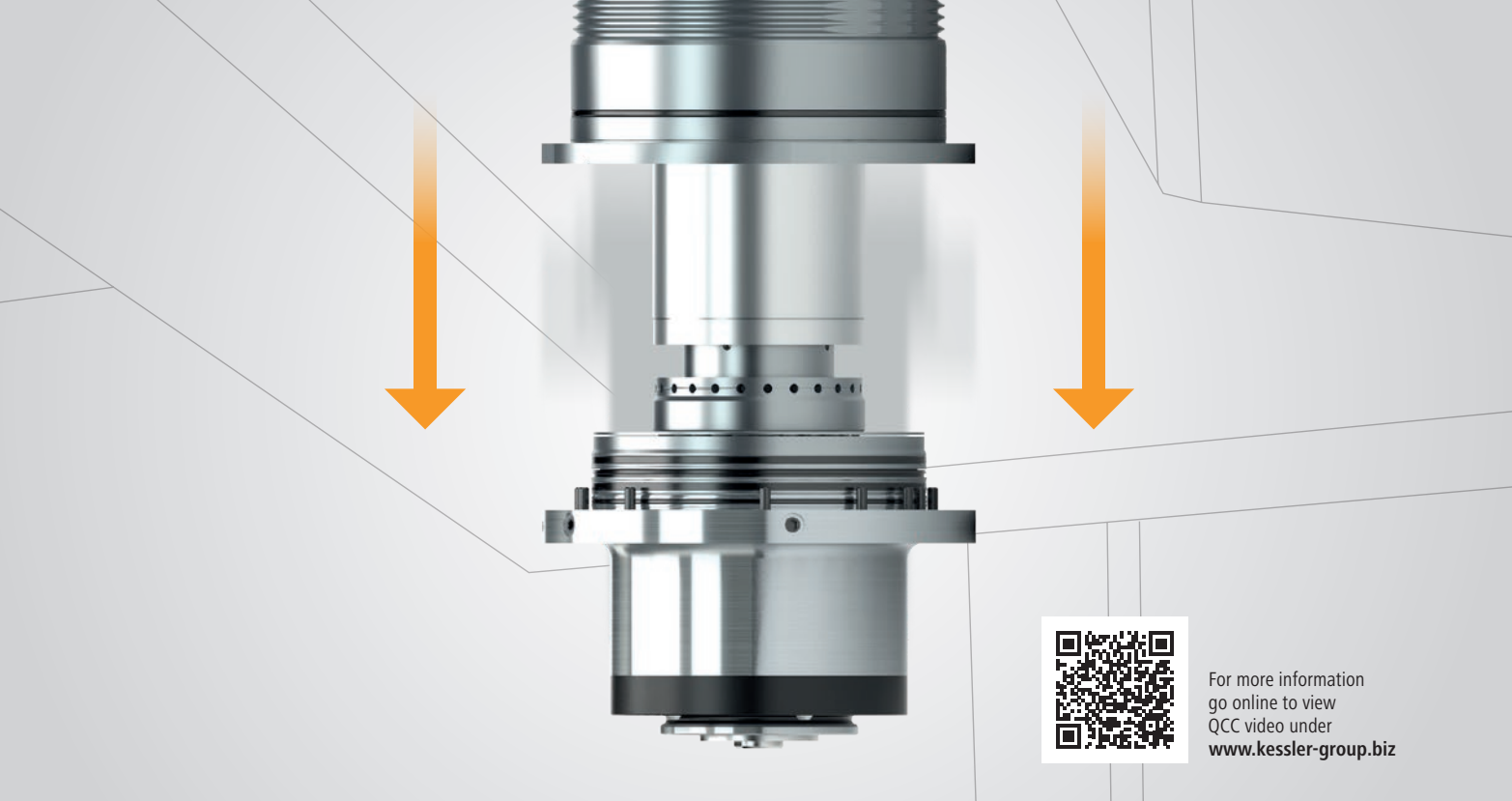
QAC MEDIUM

- Torque S1: 2,500 Nm
- Maximum torque: 5,700 Nm
- Clamping: hydraulic
- Clamping torque: 12,500 Nm
- Tilting angle: $\pm 360^\circ$
- Measuring system: absolute
- Accuracy of measuring system: $\pm 2.8''$

Options

- + **Pneumatic clamping**
with safety function
Clamping torque: 9,900 Nm
- + **Measuring system**
with enhanced accuracy $\pm 2.0''$
for use with all standard
control systems

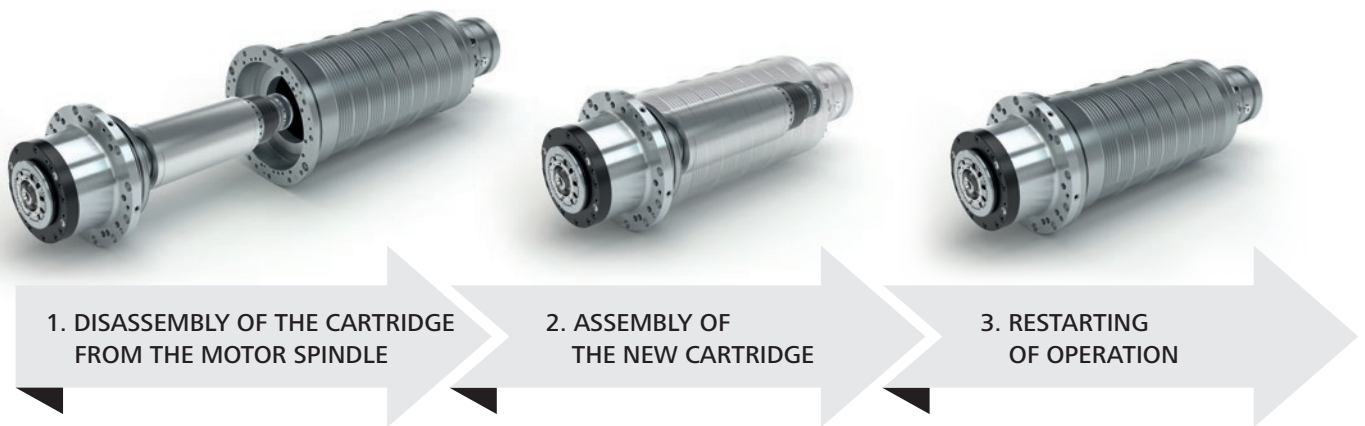




For more information
go online to view
QCC video under
www.kessler-group.biz

The built-in spindle housing remains in the headstock of the machine during the replacement procedure

Quick Connect Cartridge (QCC)



Fast replacement of rotor shaft,
front/rear bearing and
power drawbar on-site



Reduces
TCO (Total Costs
of Ownership)

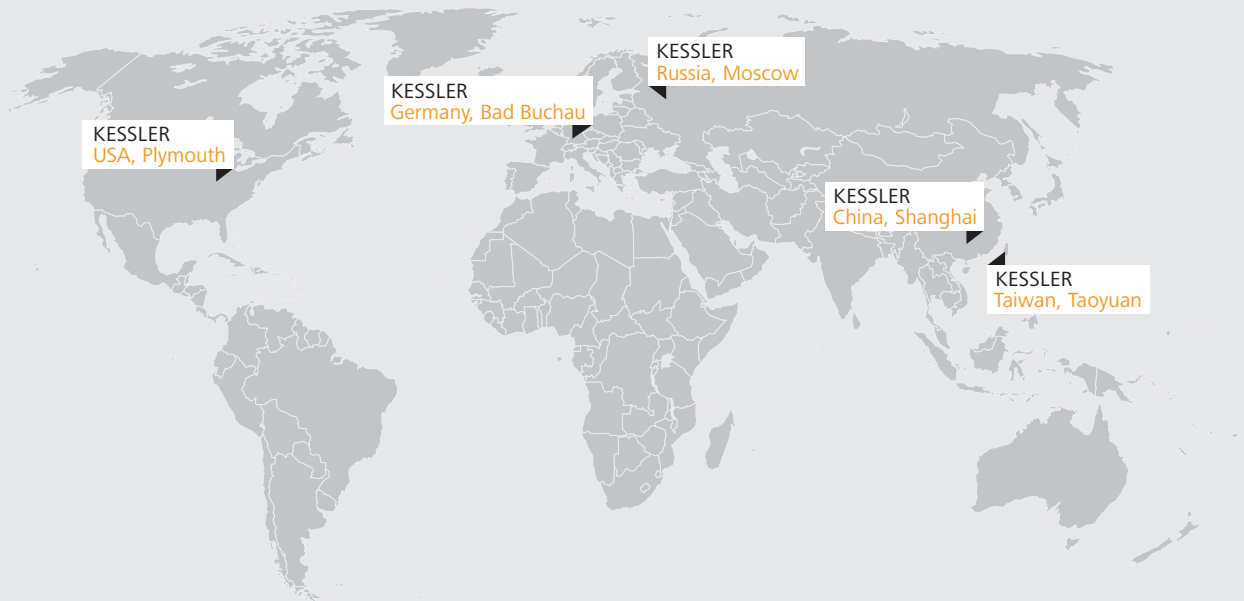


Reduces
machine downtime



No electrician
needed

Operating Worldwide for our Customers



Germany

Franz Kessler GmbH
 Franz-Kessler-Straße 2
 88422 Bad Buchau, Germany
 Tel.: +49 7582 809 - 0
 Fax: +49 7582 809 - 170
info@kessler-group.biz

USA

KESSLER USA Inc.
 44099 Plymouth Oaks Blvd.
 Plymouth, MI 48170, USA
 Tel.: +1 734 404 0152
 Fax: +1 734 404 0153
info.usa@kessler-group.biz

Russia

KESSLER East Ltd.
 Dorogobuzhskaja str., 14, bld. 6
 121354, Moscow, Russia
 Tel.: +7 495 204 2450
info.ru@kessler-group.biz

Taiwan

KESSLER Taiwan Ltd.
 No.347, Sec. 1
 Nanshan Rd
 Luzhu District
 Taoyuan City 33861
 Taiwan (R.O.C.)
 Tel.: +886 3 326 2256
 Fax: +886 3 355 5014
info.tw@kessler-group.biz

China

**KESSLER (Shanghai)
 Spindle Service Co., Ltd.**
 Building #12
 No.318 Yuanshan Rd
 Minhang District
 201108 Shanghai, China
 Tel.: +86 21 6489 7034
 Fax: +86 21 6489 7134
info.cn@kessler-group.biz